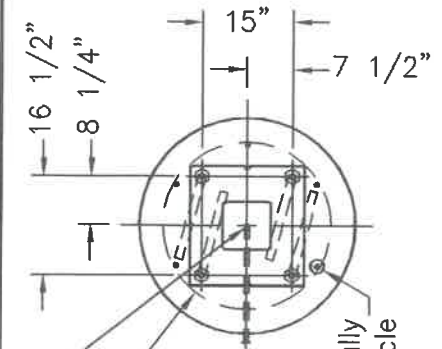
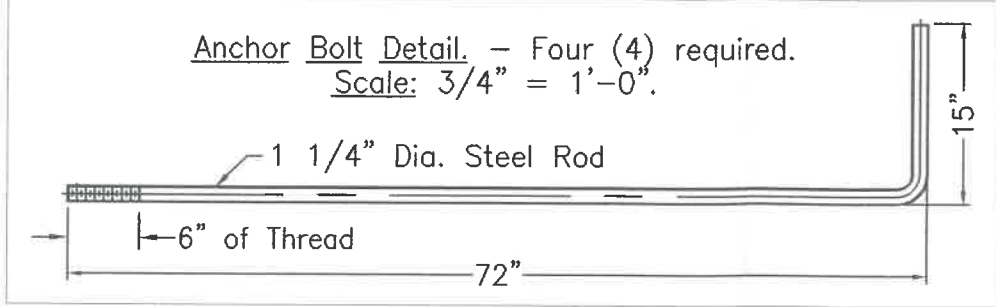


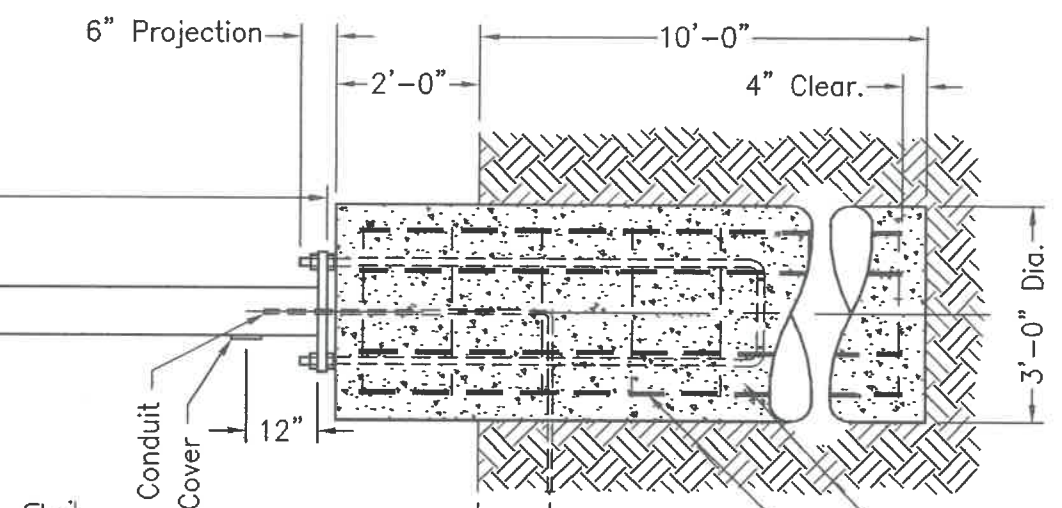
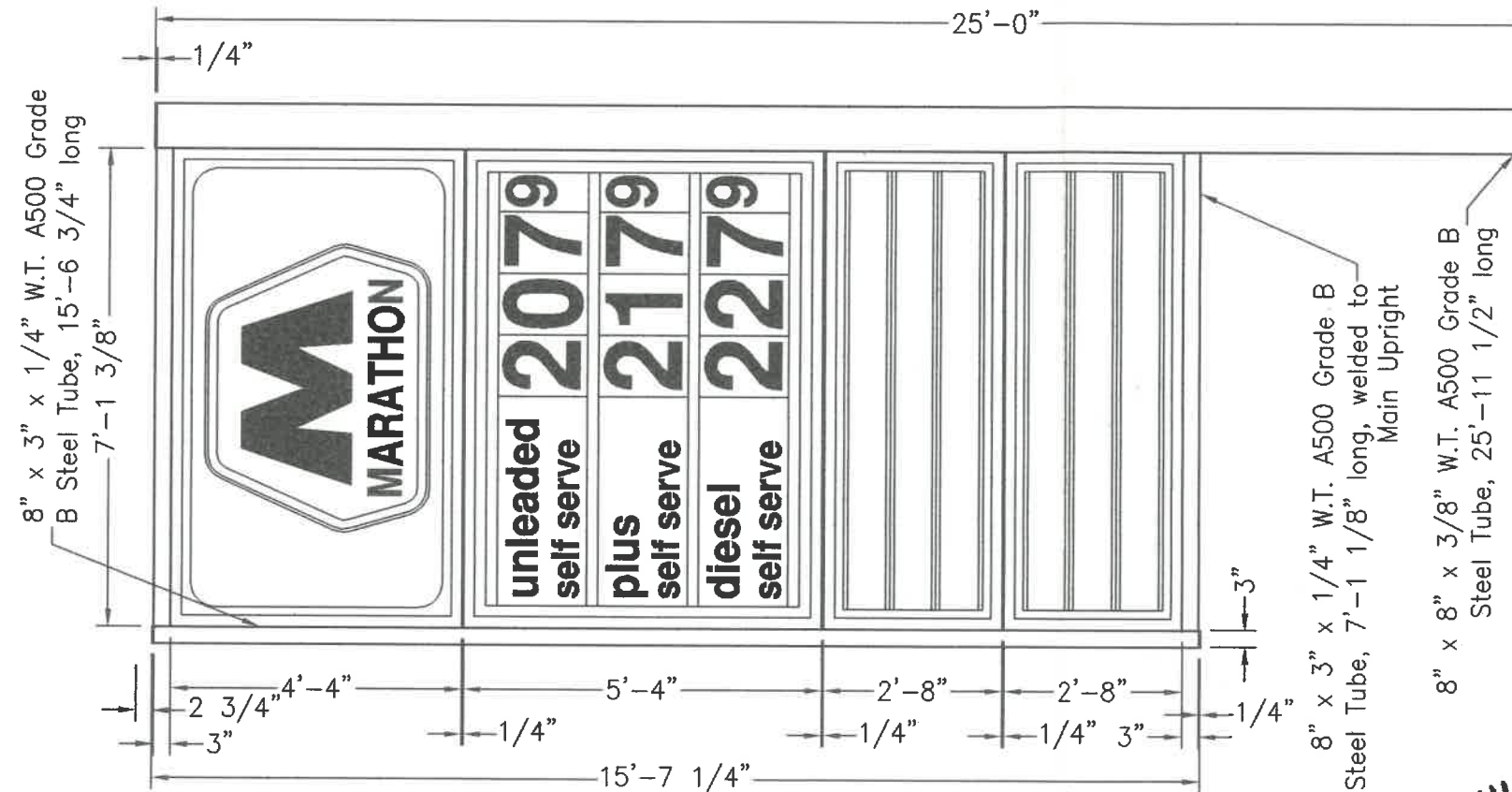
905 American Rd

E-00454

Site Address:
905 American Road
Napoleon, Ohio 43545

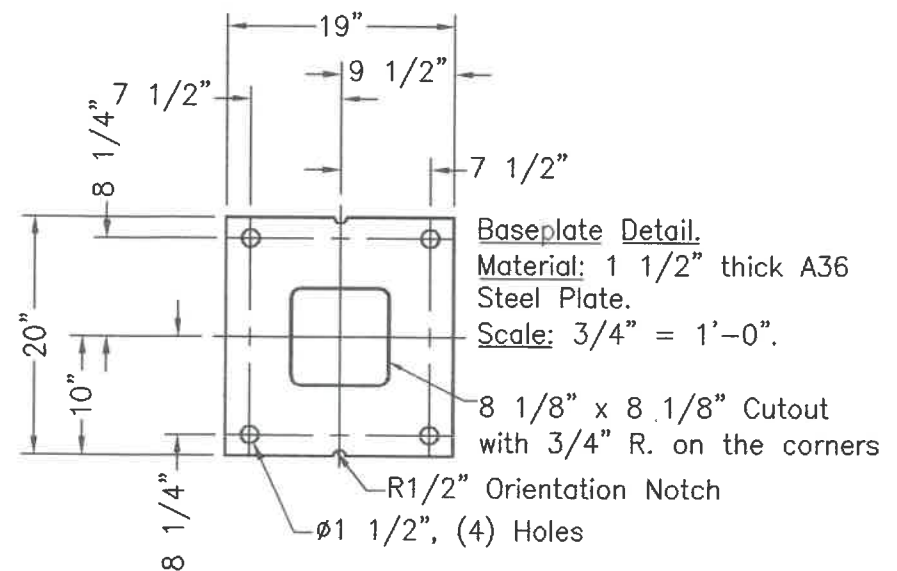


3/4" Dia. Rigid Electrical Conduit
28" Dia. Rebar Circle
Amount of Concrete: 3.1 cubic yards.
(6) #8 Vertical Rebars, 11'-4" long, equally spaced around a 28" Dia. rebar circle



8" x 3" x 1/4" W.T. A500 Grade B Steel Tube, 7'-1 1/8" long, welded to Main Upright
8" x 8" x 3/8" W.T. A500 Grade B Steel Tube, 25'-11 1/2" long
3/4" Dia. Rigid Electrical Conduit
3" x 5" Reinforced Handhole with Cover
12"
12"
12"

- NOTES:
1. 7 1/2" x 7 1/2" x 1/4" thick A36 Steel Top Plate on Main Upright.
 2. 8" x 3" x 1/4" thick A36 Steel End Plates on outer ends of Crossbars.
 3. 8" x 3" x 1/4" thick A36 Endplate on each end of the 8" x 3" Outer Upright.
- (6) #8 Vertical Rebars, 11'-4" long, equally spaced around a 28" Dia. rebar circle
(10) #3 Rebar Ties, 28" Dia. on 15" centers



Design Windload Note: Based on the 2002 Ohio Building Code using Exposure C and 90 mph winds.

Foundation Design Notes

1. Concrete shall have a minimum compressive strength of 3,000 PSI at 28 days.
2. Reinforcing Bars shall be ASTM A615 Grade 60 Steel.
3. Concrete footing was designed using a soil-bearing force of 250 lbs./sq. ft. per foot of depth Lateral. If this soil condition does not exist, it is the Erector's responsibility to have a new base designed for the existing soil conditions by a Licensed Structural Engineer.
4. Anchor bolts are to be manufactured according to AASHTO specification M314-90 Grade 55.



James R. Hogan
8-8-05

08/05/05 Released for permitting.		W.J.L.
Rev.	Date	Description
REVISION RECORD		
FUNK LINKO		
1633 Fifth Avenue, Chicago Heights, Illinois 60411-3797 Phone: (708) 757-7421 • Toll Free: (800) 541-1358 FAX: (708) 758-6629 • www.funklinko.com		
Title: 25 ft. Flag Mount Support for the 7 ft. wide Marathon Family of Signs		
Scale: 3/8" = 1'-0"	Date: Aug. 5, 2005	Drawing No.:
Drawn by: W.E. Erdmann	Chkd. by: W. J. Linko	Rev.:
Sheet: 1 of 1	Sheet Size: ANSI B (Landscape)	C0508051 A